



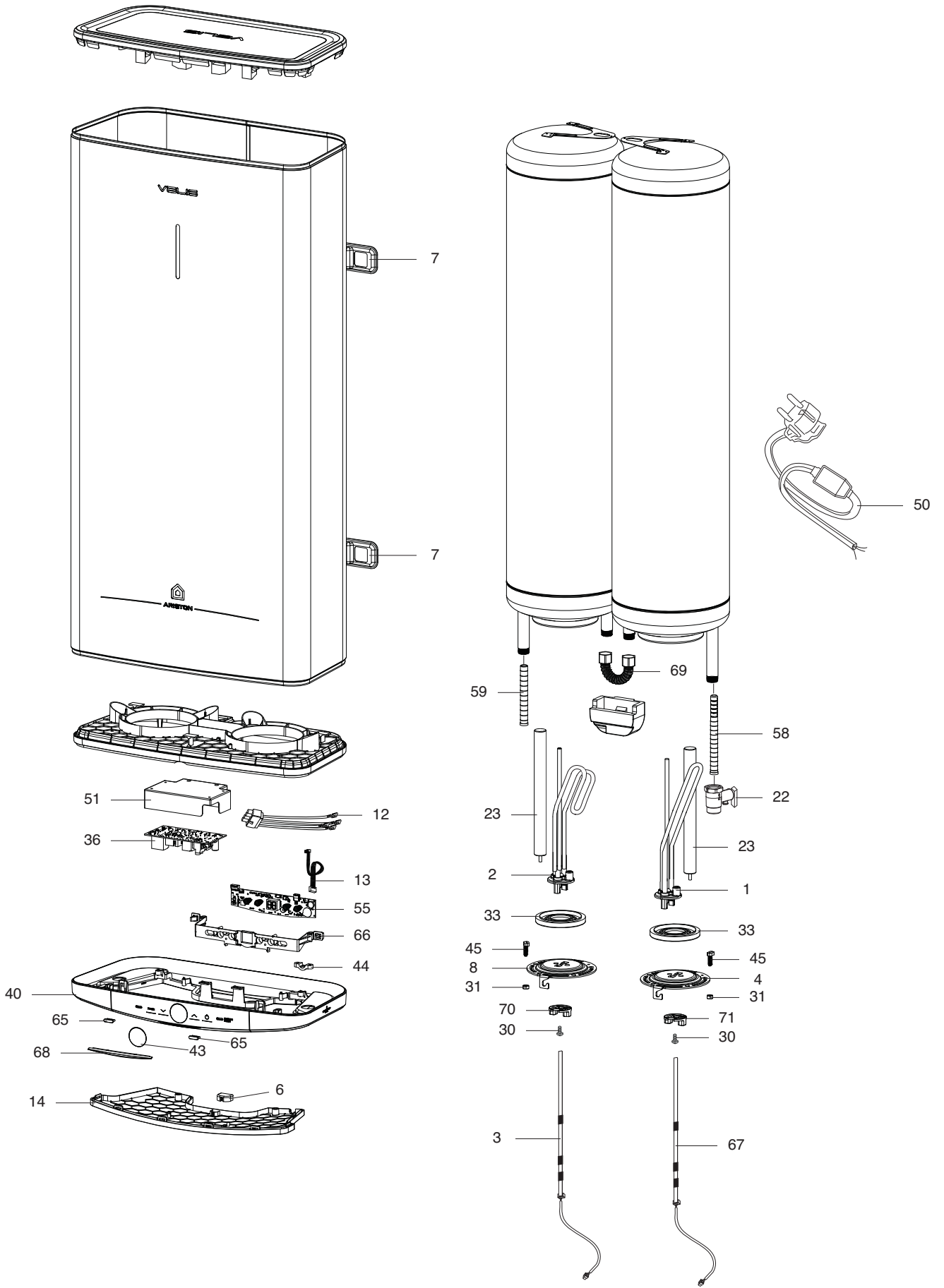
SPARE PARTS EXPLODED VIEW
STORAGE ELECTRIC WATER HEATERS
Model
ABSE VLS PRO PW

R8218675-02 - 18/07/2022

ABSE VLS PRO PW

Storage Electric Water Heaters

1	3700697	ABSE VLS PRO PW 30	04-2021	-
2	3700698	ABSE VLS PRO PW 50	04-2021	-
3	3700699	ABSE VLS PRO PW 80	04-2021	-
4	3700700	ABSE VLS PRO PW 100	04-2021	-
Col	Reference	Model type	Begin	End



☰	Description	Manf. Pt. N	Type	ABS VLS PRO PW 30 / 35 / 50 / 80 / 100																		
				1	2	3	4	5	6	7	8	9	10	11	12	13	14	15	16	17	18	From
0001	НАГРЕВАТЕЛЬНЫЙ ЭЛЕМЕНТ 1000W 230V	65180040		●	●	●	●															
0002	НАГРЕВАТЕЛЬНЫЙ ЭЛЕМЕНТ 1500W 230V	65180069		●	●	●	●															
0003	ДАТЧИК ТЕМПЕРАТУРЫ (OUTLET TANK)	65153300		●	●	●	●															
0004	ФЛАНЕЦ (5 БОЛТОВ)	65180108		●	●	●	●															
0006	ВОДОЗАЩИТНЫЙ КОЛПАК	65180442		●	●	●	●															
0007	КРОНШТЕЙН	65152905		●	●	●	●															
0008	ФЛАНЕЦ (5 БОЛТОВ)	65180071		●	●	●	●															
0012	КАБЕЛЬ (НАГР. ЭЛЕМЕНТ/ОСНОВНАЯ ПЛАТА)	65180072-01		●	●	●	●															
0013	КАБЕЛЬ ДИСПЛЕЯ	65115286		●	●	●	●															
0014	КРЫШКА ПЛАСТИКОВАЯ	65180444		●	●	●	●															
0022	ПРЕДОХРАНИТЕЛЬНЫЙ КЛАПАН (1/2" 8,5 БАР)	571730		●	●	●	●															
0023	МАГНИЕВЫЙ АНОД D:21,3 L:180 M5	65180015		●	●																	
	МАГНИЕВЫЙ АНОД D:25,5 L:230 M5-M8	993014-01					●	●														
0030	ВИНТ М6Х12	993000		●	●	●	●															
0031	ГАЙКА М6	994140		●	●	●	●															
0033	ПРОКЛАДКА ФЛАНЦА	65111788		●	●	●	●															
0036	ОСНОВНАЯ ПЛАТА	65116249		●	●	●	●															
0040	КРЫШКА ПЛАСТИКОВАЯ НИЖНЯЯ	65180445		●	●	●	●															
0043	СТЕКЛО ДИСПЛЕЯ	65180447		●	●	●	●															
0044	ЗАЖИМ ДЛЯ КАБЕЛЯ	573266		●	●	●	●															
0045	ВИНТ М6Х20	65151225		●	●	●	●															
0050	КАБЕЛЬ ПИТАНИЯ С УЗО (16А 1,0м)	65150965		●	●	●	●															
0051	КОРОБКА ОСНОВНОЙ ПЛАТЫ	65152908		●	●	●	●															
0055	ПЛАТА ДИСПЛЕЯ	65120778		●																		
	ПЛАТА ДИСПЛЕЯ	65120779			●																	
	ПЛАТА ДИСПЛЕЯ	65120780				●																
	ПЛАТА ДИСПЛЕЯ	65120781					●															
0058	РАССЕКATEЛЬ ВОДЫ (1/2" Н=159)	65152176		●	●	●	●															
0059	РАССЕКATEЛЬ ВОДЫ (1/2" Н=100)	65152177		●	●	●	●															
0065	КРЫШКА ИНДИКАТОРНОЙ ЛАМПЫ	65180448		●	●	●	●															
0066	ФИКСАТОР ПЛАТЫ ДИСПЛЕЯ	65180446		●	●	●	●															
0067	ДАТЧИК ТЕМПЕРАТУРЫ (INLET TANK)	65153301		●	●	●	●															
0068	LED ИНДИКАТОР	65180449		●	●	●	●															
0069	ТРУБКА СОЕДИНИТЕЛЬНАЯ	65152492		●	●	●	●															
0070	ИЗОЛЯТОР КЛЕММ ТЭНА (RED)	65180070		●	●	●	●															
0071	ИЗОЛЯТОР КЛЕММ ТЭНА (BLUE)	65180068		●	●	●	●															

LIST OF THE ABBREVIATIONS

HW	: Hot water.
CW	: Cold water.
C	: Ceramic resistance (normal heating).
Ca	: Ceramic resistance (accelerated heating)
TP	: Immersion heater.
1F	: With fittings.
2F	: Without fittings.
3F	: With fittings and another outlet connection.
AMI	: With mixing valve.
SMI	: Without mixing valve.
PUISS	: Power of th appliance.
PN	: Appliance with normal pression.
LP	: Appliance with low pression.
PV	: Appliance with variable power.
PF	: Appliance with fixed power.

IDENTIFICATION PLATE

SERIAL NUMBER

6 Characters : 03 09 08
 Year of manufacture Manufacturing day
 Month of manufacture

9 Characters : 5 9 12 0606
 Year of manufacture Sequential number
 Month of manufacture

14 Characters :
 SI-V-0B0 45 07 0001
 Sequential number
 Year of manufacture : → 6 → 2004
 Month of manufacture : → 25 → January 43 → July 7 → 2005
 13 → February 29 → August 8 → 2006
 32 → March 40 → September etc ...
 35 → April 38 → October
 39 → May 51 → November
 45 → June 12 → December
 Product model

14 Characters : 111518 XX 000010
 Month of manufacture Sequential number
 Day of manufacture Year of manufacture

15 Characters : 02 11 00001 007843
 Year of manufacture Product reference
 Month of manufacture Sequential number

21 Characters : 3200050 XX 08115 0000001
 Product reference Sequential number
 Year (08) / Manufacturing day (115)

22 Characters : 3200050 XX 070115 0000001
 Product reference Sequential number
 Year (07) / Month (01) / Manufacturing day (15)

The indications mentioned on the prices, commercial or technical literature and the scheme are written for your guidance and are available at a given time. The CONSTRUCTOR retains the power to modify the presentation, the form, the size, the conception or the material of the products.